

4

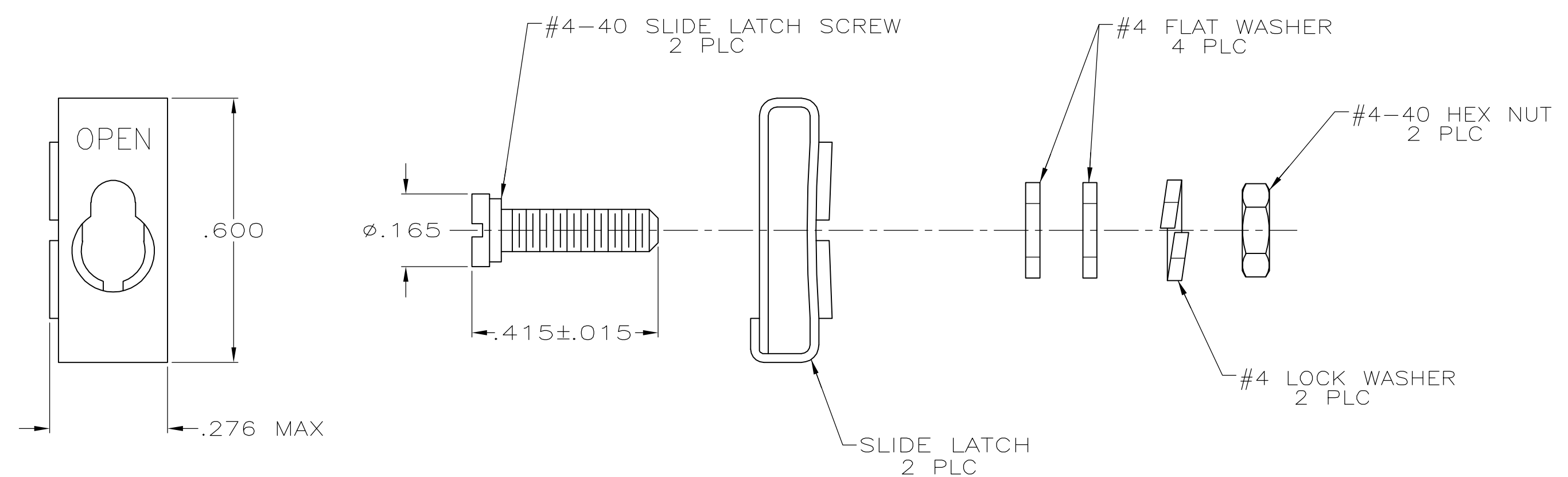
3

2

1

THIS DRAWING IS UNPUBLISHED. RELEASED FOR PUBLICATION  
 © COPYRIGHT - BY TYCO ELECTRONICS CORPORATION. ALL RIGHTS RESERVED.

LOC	DIST	REVISIONS					
GP	00	P	LTR	DESCRIPTION	DATE	DWN	APVD
			0	RELEASED PER EC 0S13-0207-05	28JUN05	SW	JG



- 1. PARTS PACKAGED UNASSEMBLED.
- 2. PARTS PACKAGED AS A UNIT KIT.
- 3. PARTS INDIVIDUALLY BULK PACKED & SHIPPED AS A UNIT PACKAGE.
- 4. ZINC PLATED .000200-.000400 THICK, YELLOW CHROMATE COATING.
- 5. THIS KIT CAN BE USED WITH ONE-PIECE STRAIGHT/45° EXIT CABLE CLAMPS, ONE-PIECE STRAIGHT/90° EXIT CABLE CLAMPS, OR ON CONNECTORS WITHOUT CABLE CLAMPS.

3	5206942-2
2	5206942-1
PACKAGING	PART NO

THIS DRAWING IS A CONTROLLED DOCUMENT.		DWN	S.WAITMAN	28JUN05	 Tyco Electronics Corporation Harrisburg, Pa 17105-3608					
DIMENSIONS: INCHES		CHK	C.ROHDE	28JUN05						
		APVD	M.WALMSLEY	28JUN05						
TOLERANCES UNLESS OTHERWISE SPECIFIED:		PRODUCT SPEC			NAME	KIT, TWO-PIECE SLIDE LATCH, SIZES 1 THRU 4, AMPLIMITE				
0 PLC ± - 1 PLC ± - 2 PLC ± - 3 PLC ± .005 4 PLC ± - ANGLES ± -		APPLICATION SPEC			RESTRICTED TO					
MATERIAL		WEIGHT			SIZE	CAGE CODE	DRAWING NO	RESTRICTED TO		
SLIDE LATCH: STAINLESS STEEL		-			A3	00779	C-5206942	-		
HARDWARE: STEEL		FINISH			CUSTOMER DRAWING		SCALE	SHEET	OF	REV
HARDWARE: 4		-			4:1		1	1	0	